



## Residential Hangers

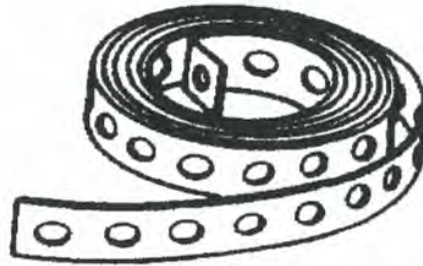
Pipe supports presented in this section are our residential hangers. Hangers in this section are typically used in light duty application in condo or private residences.

**Materials:** Carbon Steel is used in the manufacturing of beam clamps. Other materials are also available.

**Finishes:** Finishes for beam clamps in this section are Plain Steel, Electro-Plated Zinc and other special coatings are also available.

**Notes:** See MSS SP-69 for recommended setscrew torque. Products in this section are designed and manufactured in accordance with industry standards. RHK is not responsible for injuries and damage which could result from improper and negligent installation of the items.

## Perforated Hanger Strapping - K5600



Part Number	Size	Wt./C (Lbs.)		
		10'	50'	100'
K5600	3/4" x 20ga	83	415	830

**Material:** Plain or Pre-Galvanized Carbon Steel, Pre-Copper Plated Carbon Steel, Type 304 Stainless Steel

**Finish:** Plain, Pre-Galvanized or Copper Plated

**Service:** Designed for various light duty applications

**Ordering:** Specify gauge, length, part number and finish

**Note:** Stainless Steel hangers are recommended for applications where protection from corrosive environments is needed



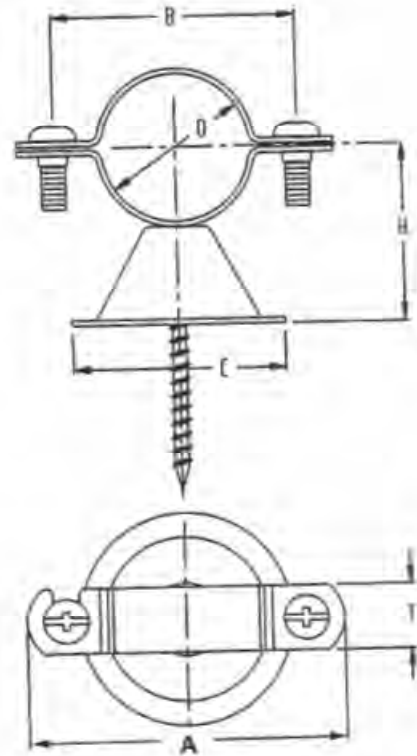
# Van (Bell Type) Hanger - K5800CU

**Material:** Carbon Steel

**Finish:** Copper Plated, COPPER-GUARD (with Stainless Steel screws)

**Services:** Designed to support copper tubing to the wall. Supports the pipe 1" from the back of the pipe to the wall. The wood screw is concealed upon installation

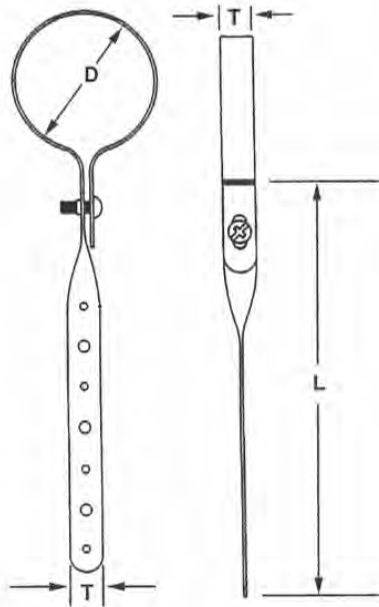
**Ordering:** Specify tube size, finish and part number



Part Number	Tube Size	"D" Tube O.D.	"A"	"B"	"C"	"H"	"T"	Wt./C w/screw (Lbs.)
K5800-1/2CU	1/2"	0.625"	2 3/16"	1 9/16"	1 5/8"	1 1/16"	1/2"	6
K5800-3/4CU	3/4"	0.875"	2 3/8"	1 3/4"	1 5/8"	1 3/16"	1/2"	6
K5800-1CU	1"	1.125"	2 7/16"	1 7/8"	1 5/8"	1 5/16"	1/2"	6
K5800-1 1/4CU	1 1/4"	1.375"	2 11/16"	2 1/8"	1 5/8"	1 7/16"	1/2"	8
K5800-1 1/2CU	1 1/2"	1.625"	3 1/16"	2 7/16"	1 5/8"	1 9/16"	1/2"	8
K5800-2CU	2"	2.125"	4 7/16"	2 13/16"	1 5/8"	1 13/16"	1/2"	9



# Natick Hanger - K5506CU



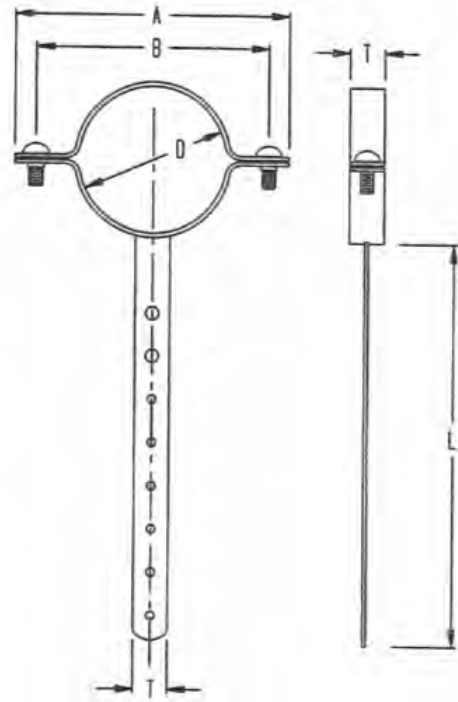
**Material:** Carbon Steel  
**Finish:** Copper Plated  
**Service:** Designed for the support of copper tube supply lines. Attaches to wood members  
**Ordering:** Specify tube size, length and part number

Part Number	Tube Size	"D" Tube O.D.	"T"	"L"	Wt./C (Lbs.)
K5506-1/2CU	1/2"	0.625"	1/2"	6"	7
K5506-3/4CU	3/4"	0.875"	1/2"	6"	7
K5506-1CU	1"	1.125"	1/2"	6"	8
K5506-1 1/4CU	1 1/4"	1.375"	1/2"	6"	8
K5506-1 1/2CU	1 1/2"	1.625"	1/2"	6"	10
K5506-2CU	2"	2.125"	1/2"	6"	10
K5512-1/2CU	1/2"	0.625"	1/2"	12"	9
K5512-3/4CU	3/4"	0.875"	1/2"	12"	9
K5512-1CU	1"	1.125"	1/2"	12"	10
K5512-1 1/4CU	1 1/4"	1.375"	1/2"	12"	10
K5512-1 1/2CU	1 1/2"	1.625"	1/2"	12"	12
K5512-2CU	2"	2.125"	1/2"	12"	12



# Milford Hanger - K5706CU

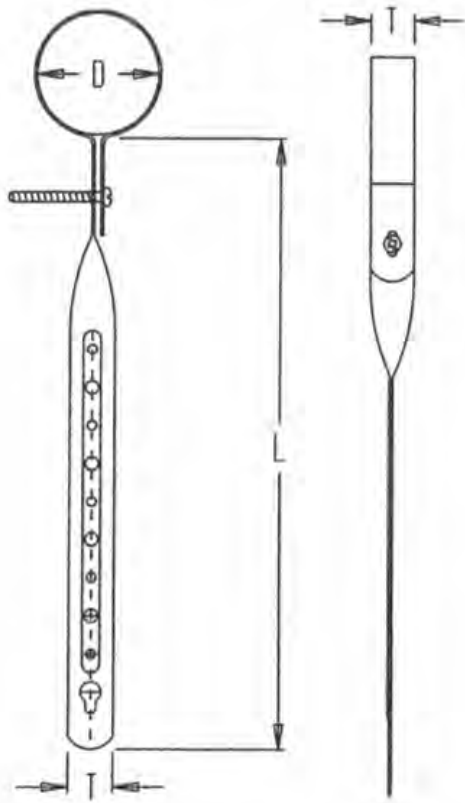
**Material:** Carbon Steel  
**Finish:** Copper Plated  
**Service:** Designed for the support of copper tube supply lines. Attaches to wood members  
**Ordering:** Specify tube size, length and part number



Part Number	Tube Size	"D" Tube O.D.	"A"	"B"	"T"	"L"	Wt./C (Lbs.)
K5706-1/2CU	1/2"	0.625"	2 3/16"	1 9/16"	1/2"	6"	8
K5706-3/4CU	3/4"	0.875"	2 3/8"	1 3/4"	1/2"	6"	8
K5706-1CU	1"	1.125"	2 7/16"	1 7/8"	1/2"	6"	8
K5706-1 1/4CU	1 1/4"	1.375"	2 11/16"	2 1/8"	1/2"	6"	10
K5706-1 1/2CU	1 1/2"	1.625"	3 1/16"	2 7/8"	1/2"	6"	10
K5706-2CU	2"	2.125"	3 7/16"	2 13/16"	1/2"	6"	10
K5712-1/2CU	1/2"	0.625"	2 3/16"	1 9/16"	1/2"	12"	12
K5712-3/4CU	3/4"	0.875"	2 3/8"	1 3/4"	1/2"	12"	12
K5712-1CU	1"	1.125"	2 7/16"	1 7/8"	1/2"	12"	12
K5712-1 1/4CU	1 1/4"	1.375"	2 11/16"	2 1/8"	1/2"	12"	14
K5712-1 1/2CU	1 1/2"	1.625"	3 1/16"	2 7/8"	1/2"	12"	14
K5712-2CU	2"	2.125"	3 7/16"	2 13/16"	1/2"	12"	14



# DWV (Drain, Waste, Vent) Hanger - K5500ZP



**Material:** Pre-Galvanized Carbon Steel, Pre-Copper Plated Carbon Steel

**Finish:** Pre-Galvanized, Copper Plated or Plastic Coated

**Service:** Designed for the support of PVC or ABS DWV pipe from wood joists. Evenly spaced holes allow for proper pipe pitch

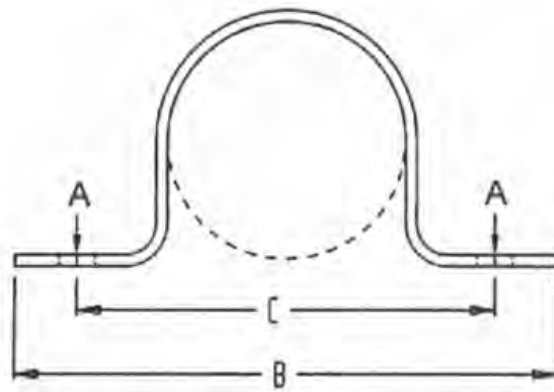
**Ordering:** Specify pipe size, part number and finish

**Notes:** K5500CU copper plated DWV hangers are NOT designed for copper DWV pipe

Part Number	Pipe Size	"D" Pipe O.D.	"T"	"L"	Wt./C (Lbs.)
K5500-1 1/2ZP	1 1/2"	1.9"	3/4"	12"	20
K5500-2ZP	2"	2.375"	3/4"	12"	22
K5500-3ZP	3"	3.5"	3/4"	12"	24
K5500-4ZP	4"	4.5"	3/4"	12"	26



## Copper Two Hole Tubing Strap - K5900CU



**Material:** Carbon Steel

**Finish:** Copper Plated

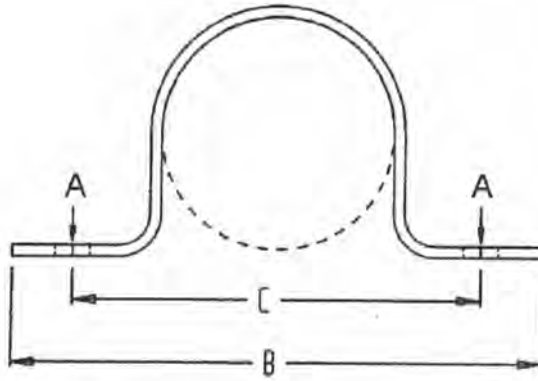
**Service:** Designed as a light duty support for copper tubing. Attaches directly to horizontal or vertical structural member

**Ordering:** Specify part number

Part Number	Pipe Size	Pipe O.D.	Material Size	"A" Hole Size	"B"	"C"	Wt./C (Lbs.)
K5900-1/4CU	1/4"	0.375"	20 ga x 1/2"	3/16"	1 3/4"	1 1/8"	1
K5900-3/8CU	3/8"	0.5"	20 ga x 1/2"	3/16"	1 7/8"	1 1/4"	1
K5900-1/2CU	1/2"	0.625"	20 ga x 1/2"	3/16"	2 1/8"	1 1/2"	1
K5900-3/4CU	3/4"	0.875"	20 ga x 1/2"	3/16"	2 3/8"	1 5/8"	2
K5900-1CU	1"	1.125"	20 ga x 1/2"	3/16"	2 7/8"	2 1/4"	2
K5900-1 1/4CU	1 1/4"	1.375"	20 ga x 1/2"	3/16"	3 1/8"	2 1/2"	4
K5900-1 1/2CU	1 1/2"	1.625"	18 ga x 3/4"	7/32"	3 5/8"	2 3/4"	5
K5900-2CU	2"	2.125"	18 ga x 3/4"	7/32"	4 1/4"	3 3/8"	6



## Two Hole Pipe Strap - K5900



**Material:** Pre-Galvanized Carbon Steel

**Finish:** Pre-Galvanized

**Service:** Designed as a light duty support for schedule 40/80 sized pipe. Attaches directly to horizontal or vertical structural member

**Ordering:** Specify part number

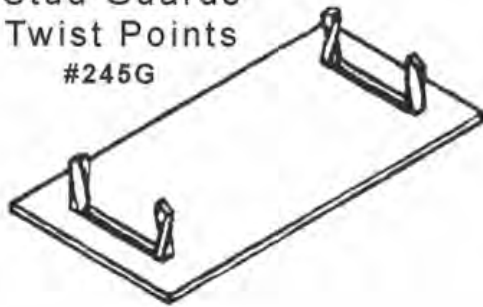
Part Number	Pipe Size	Pipe O.D.	"A" Hole Size	"B"	"C"	Wt./C (Lbs.)
K5900-1/4ZP	1/4"	0.54"	7/32"	2 1/8"	1 1/4"	1
K5900-3/8ZP	3/8"	0.675"	7/32"	2 1/4"	1 1/2"	3
K5900-1/2ZP	1/2"	0.84"	7/32"	2 5/8"	1 7/8"	4
K5900-3/4ZP	3/4"	1.05"	7/32"	2 3/4"	2"	7
K5900-1ZP	1"	1.315"	9/32"	3 3/8"	2 5/8"	9
K5900-1 1/4ZP	1 1/4"	1.66"	9/32"	4 1/4"	3 1/4"	10
K5900-1 1/2ZP	1 1/2"	1.9"	9/32"	4 3/8"	3 3/8"	13
K5900-2ZP	2"	2.375"	9/32"	5"	4"	18
K5900-2 1/2ZP	2 1/2"	2.875"	11/32"	6 1/4"	4 3/4"	26
K5900-3ZP	3"	3.5"	11/32"	7 1/4"	5 3/4"	32
K5900-4ZP	4"	4.5"	11/32"	8 3/8"	6 7/8"	40
K5900-6ZP	6"	6.625"	11/32"	11 1/8"	9 5/8"	75



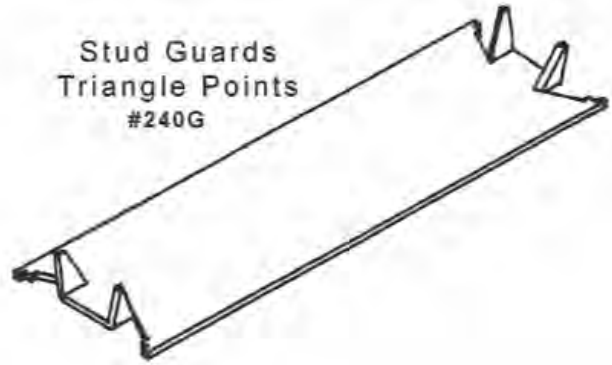


# Stud Guards

Stud Guards  
Twist Points  
#245G



Stud Guards  
Triangle Points  
#240G



**Material:** Carbon Steel

**Service:** Designed to protect piping and electrical lines that pass through metal framing from damage due to penetration from drywall or other fasteners. Simple installation with a hammer

**Ordering:** Specify part number

Part Number	Gauge	Size (WxL)	Style	Wt./C (Lbs.)
Stud-3	18	1 1/2" x 3"	Triangle Point	6
Stud-5	18	1 1/2" x 5"	Triangle Point	10
Stud-90 63	19	1 1/2" x 3"	Nail Holes	6
Stud-90 66	19	1 1/2" x 6"	Nail Holes	11

