



## Threaded Accessories

Threaded products presented in this section are designed to reduce installation time. Various types and sizes are available for numerous applications.

**Materials:** Carbon Steel, Forged Steel, and Malleable Iron are used in the manufacturing of threaded products. Stainless Steel and other materials are also available.

**Finishes:** Finishes for threaded products are Plain Steel, Electro-Plated Zinc, Hot Dip Galvanized and other special coatings are also available.

**Notes:** Products in this section are designed and manufactured in accordance with industry standards. RHK is not responsible for injuries and damage which could result from improper and negligent installation of the items.

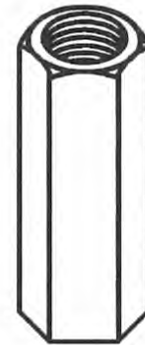
## Steel Rod Coupling - HCN

**Material:** Steel

**Standard Finish:** Plain or Electro-Plated

**Service:** Designed for coupling two hanger rods of equal rod sizes

**Ordering:** Specify part number and finish



Part Number	Size	Length	Design Load (Lbs.)	Wt./C (Lbs.)
K655 - 1/4	1/4" - 20	7/8"	300	1.9
K655 - 5/16	5/16" - 18	7/8"	475	1.8
K655 - 3/8	3/8" - 16	1 1/8"	730	3.6
K655 - 1/2	1/2" - 13	1 3/4"	1350	11.3
K655 - 5/8	5/8" - 11	2 1/8"	2160	17.6
K655 - 3/4	3/4" - 10	2 1/4"	3230	28.1
K655 - 7/8	7/8" - 9	2 1/2"	4480	57.2
K655 - 1	1" - 8	2 3/4"	5900	73.7

**Note:** Larger sizes also available. Please call 508-359-9777 for more information

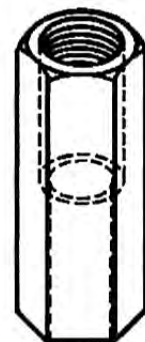
## Steel Reducing Rod Coupling - RCN

**Material:** Steel

**Standard Finish:** Plain or Electro-Plated

**Service:** Designed for coupling two hanger rods of reduced rod sizes

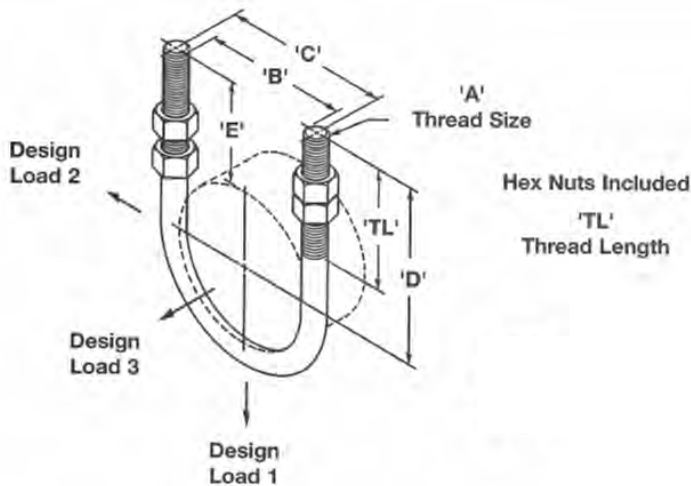
**Ordering:** Specify part number and finish



Part Number	Size	Length	Design Load (Lbs.)	Wt./C (Lbs.)
K656 - 3/8 x 1/4	3/8" - 16 and 1/4" - 20	1"	300	3.7
K656 - 1/2 x 3/8	1/2" - 13 and 3/8" - 16	1 1/4"	730	6.6
K656 - 5/8 x 1/2	5/8" - 11 and 1/2" - 13	1 1/4"	1350	11.6
K656 - 3/4 x 5/8	3/4" - 10 and 5/8" - 11	1 1/2"	2160	20.6
K656 - 7/8 x 3/4	7/8" - 9 and 3/4" - 10	1 3/4"	3230	39.4



# Standard U-Bolt - K3188...



**Material:** Steel (Stainless Steel available)  
**Standard Finish:** Plain or Electro-Plated  
**Service:** Designed as a support, guide, or anchor for pipe  
**Ordering:** Specify part number and finish

Part Number	Nominal Pipe Size	Thread Size "A"	Thread Length "TL"	"B"	"C"	Tangent "D"
K3188 - 1/2	1/2"	1/4" - 20	2 1/8"	15/16"	1 3/16"	2 3/4"
K3188 - 3/4	3/4"	1/4" - 20	2 1/8"	1 1/8"	1 3/8"	2 3/4"
K3188 - 1	1"	1/4" - 20	2 1/8"	1 3/8"	1 5/8"	2 3/4"
K3188 - 1 1/4	1 1/4"	3/8" - 16	2 1/8"	1 11/16"	2 3/32"	2 7/8"
K3188 - 1 1/2	1 1/2"	3/8" - 16	2 1/2"	2"	2 3/8"	3"
K3188 - 2	2"	3/8" - 16	2 1/2"	2 7/16"	2 13/16"	3 1/4"
K3188 - 2 1/2	2 1/2"	1/2" - 13	3"	2 15/16"	3 7/16"	3 3/4"
K3188 - 3	3"	1/2" - 13	3"	3 9/16"	4 1/16"	4"
K3188 - 3 1/2	3 1/2"	1/2" - 13	3"	4 1/16"	4 9/16"	4 1/4"
K3188 - 4	4"	1/2" - 13	3"	4 9/16"	5 1/16"	4 1/2"
K3188 - 5	5"	1/2" - 13	3"	5 21/32"	6 5/32"	5"
K3188 - 6	6"	5/8" - 11	3 3/4"	6 3/4"	7 3/8"	6 1/8"
K3188 - 8	8"	5/8" - 11	3 3/4"	8 3/4"	9 3/8"	7 1/8"
K3188 - 10	10"	3/4" - 10	4"	10 7/8"	11 5/8"	8 3/8"
K3188 - 12	12"	7/8" - 9	4 1/4"	12 7/8"	13 3/4"	9 5/8"
K3188 - 14	14"	7/8" - 9	4 1/4"	14 1/8"	15"	10 1/4"
K3188 - 16	16"	7/8" - 9	4 1/4"	16 1/8"	17"	11 1/4"
K3188 - 18	18"	1" - 8	4 3/4"	18 1/8"	19 1/8"	12 5/8"
K3188 - 20	20"	1" - 8	4 3/4"	20 1/8"	21 1/8"	13 5/8"
K3188 - 24	24"	1" - 8	4 3/4"	24 1/8"	25 1/8"	15 5/8"
K3188 - 30	30"	1" - 8	4 3/4"	30 1/8"	31 1/8"	18 5/8"

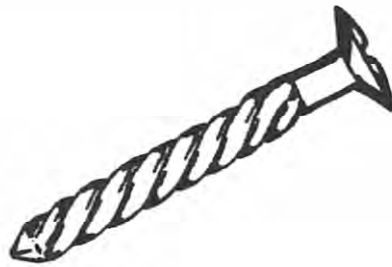


## Standard U-Bolt - K3188 (cont.)

Part Number	"E"	Wt./C (Lbs.)	Design Load 1 650°F (Lbs.)	Design Load 1 750°F (Lbs.)	Design Load 2 650°F (Lbs.)	Design Load 3 650°F (Lbs.)
K3188 - 1/2	2 5/16"	10	580	454	145	180
K3188 - 3/4	2 7/32"	11	580	454	145	300
K3188 - 1	2 3/32"	11	580	454	145	480
K3188 - 1 1/4	2 1/32"	28	1460	1144	365	600
K3188 - 1 1/2	2 1/16"	29	1460	1144	365	600
K3188 - 2	2 1/16"	31	1460	1144	365	720
K3188 - 2 1/2	2 5/16"	72	2700	2114	675	720
K3188 - 3	2 1/4"	79	2700	2114	675	900
K3188 - 3 1/2	2 1/4"	84	2700	2114	675	900
K3188 - 4	2 1/4"	94	2700	2114	675	900
K3188 - 5	2 7/32"	104	2700	2114	675	1080
K3188 - 6	2 13/16"	203	4320	3382	1080	1080
K3188 - 8	2 13/16"	241	4320	3382	1080	-
K3188 - 10	3"	412	6460	5060	1615	-
K3188 - 12	3 1/4"	661	9960	7016	2490	-
K3188 - 14	3 1/4"	707	9960	7016	2490	-
K3188 - 16	3 1/4"	782	9960	7016	2490	-
K3188 - 18	3 5/8"	1344	11800	9240	-	-
K3188 - 20	3 5/8"	1458	11800	9240	-	-
K3188 - 24	3 5/8"	1687	11800	9240	-	-
K3188 - 30	3 5/8"	2030	11800	9240	-	-



## #12 x 1 1/2" Drive Screw - K1330



**Material:** Steel

**Standard Finish:** Plain

**Service:** For fastening light load attachments to wood beams

**Ordering:** Specify part number and finish

**Weight:** Wt./C 1.1 lbs



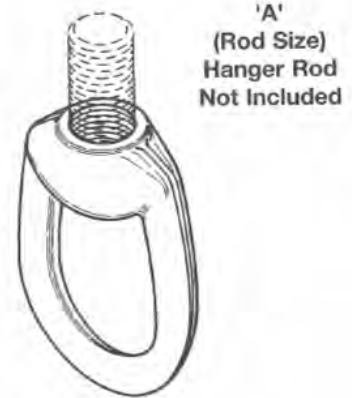
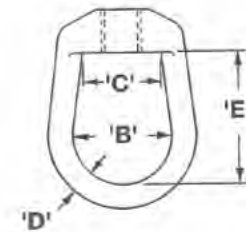
# Weldless Eye Nut - K3200

**Material:** Forged Steel

**Standard Finish:** Plain or Electro-Plated

**Service:** Designed for use on high-temperature pipe runs where a flexible connection is required

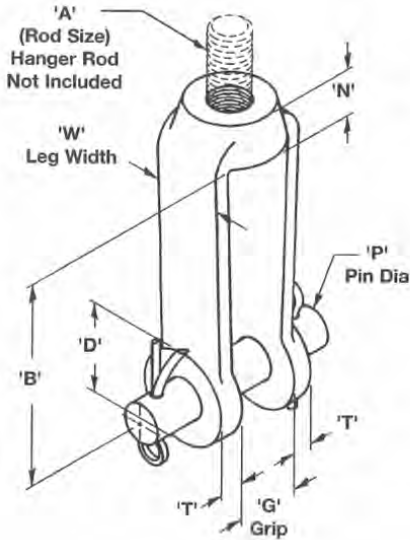
**Ordering:** Specify part number and finish



Part Number	Rod Size "A"	"B"	"C"	"D"	"E"	Design Load 650°F (Lbs.)	Design Load 750°F (Lbs.)	Wt./C (Lbs.)
K3200 - 3/8	3/8" - 16	1 1/2"	1 3/16"	1/2"	2"	730	572	66
K3200 - 1/2	1/2" - 13	1 1/2"	1 3/16"	1/2"	2"	1350	1057	64
K3200 - 5/8	5/8" - 11	1 1/2"	1 3/16"	1/2"	2"	2160	1692	62
K3200 - 3/4	3/4" - 10	1 1/2"	1 3/16"	1/2"	2"	3230	2530	60
K3200 - 7/8	7/8" - 9	2"	1 11/16"	3/4"	2 5/8"	4480	3508	190
K3200 - 1	1" - 8	2"	1 11/16"	3/4"	2 5/8"	5900	4620	185
K3200 - 1 1/8	1 1/8" - 7	2 1/2"	1 13/16"	1"	3 3/8"	7450	5830	408
K3200 - 1 1/4	1 1/4" - 7	2 1/2"	1 13/16"	1"	3 3/8"	9500	7440	400
K3200 - 1 1/2	1 1/2" - 6	2 1/2"	1 13/16"	1"	3 3/8"	13800	10807	381
K3200 - 1 3/4	1 3/4" - 5	4"	4"	1 1/2"	6 1/4"	18600	14566	1638
K3200 - 2	2" - 4 1/2	4"	4"	1 1/2"	6 1/4"	24600	19265	1859



# Forged Steel Clevis - K3201



'B'  
Center of clevis pin  
to underside of top  
'D'  
Boss Dia.  
'N'  
Thickness of  
threaded top.

**Material:** Forged Steel

**Standard Finish:** Plain or Electro-Plated

**Service:** Designed as an adjustable hanger rod connection for high temperature pipe runs

**Ordering:** Specify part number and finish. When ordering with hardware for sizes 3/8" thru 1 1/8", Hex Head Cap Screw and Hex Nut will be supplied. For 1 1/4" thru 2, Clevis Pin and Cotter Pins will be supplied

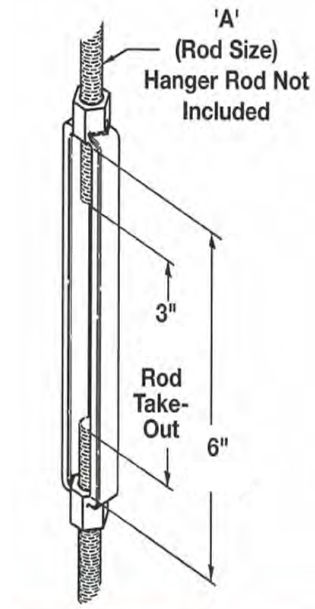
Part Number	Rod Size "A"	"B"	"D"	Grip "G"	"N"	Pin Diameter "P"	"T"
K3201 - 3/8	3/8" - 16	3 9/16"	1 7/16"	1/2"	5/8"	1/2"	5/16"
K3201 - 1/2	1/2" - 13	3 9/16"	1 7/16"	1/2"	5/8"	5/8"	5/16"
K3201 - 5/8	5/8" - 11	3 9/16"	1 7/16"	5/8"	5/8"	3/4"	5/16"
K3201 - 3/4	3/4" - 10	4"	2 1/2"	3/4"	1 1/8"	7/8"	3/8"
K3201 - 7/8	7/8" - 9	4"	2 1/2"	7/8"	1 1/8"	1"	3/8"
K3201 - 1	1" - 8	5 1/16"	3"	1"	1 1/4"	1 1/8"	1/2"
K3201 - 1 1/8	1 1/8" - 7	5 1/16"	3"	1 1/8"	1 1/4"	1 1/4"	1/2"
K3201 - 1 1/4	1 1/4" - 7	5 1/16"	3"	1 1/4"	1 1/4"	1 3/8"	1/2"
K3201 - 1 1/2	1 1/2" - 6	6"	3 1/2"	1 1/2"	1 1/2"	1 5/8"	1/2"
K3201 - 1 3/4	1 3/4" - 5	6"	4"	1 1/2"	1 3/4"	1 7/8"	1/2"
K3201 - 2	2" - 4 1/2	7"	5"	2 1/2"	2 1/4"	2 1/4"	5/8"

Part Number	"W"	Design Load 650°F (Lbs.)	Design Load 750°F (Lbs.)	Wt./C with Pin (Lbs.)	Wt./C without Pin (Lbs.)
K3201 - 3/8	1 1/16"	730	572	102	85
K3201 - 1/2	1 1/16"	1350	1057	112	82
K3201 - 5/8	1 1/16"	2160	1692	134	78
K3201 - 3/4	1 1/4"	3230	2530	250	163
K3201 - 7/8	1 1/4"	4480	3508	305	161
K3201 - 1	1 1/2"	5900	4620	656	449
K3201 - 1 1/8	1 1/2"	7450	5830	718	433
K3201 - 1 1/4	1 1/2"	9500	7440	603	382
K3201 - 1 1/2	1 3/4"	13800	10807	952	600
K3201 - 1 3/4	2"	18600	14566	1357	800
K3201 - 2	2 1/2"	24600	19265	2403	1600



# Turnbuckle - K3202

**Material:** Forged Steel  
**Standard Finish:** Plain or Electro-Plated  
**Service:** Designed as a hanger rod connection with up to 6" adjustment  
**Ordering:** Specify part number and finish



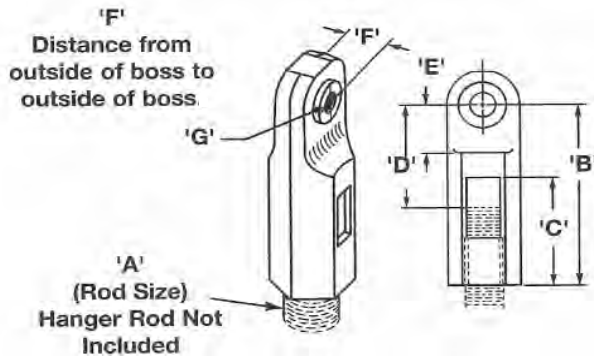
Part Number	Rod Size "A"	Design Load 650°F (Lbs.)	Design Load 750°F (Lbs.)	Wt./C (Lbs.)
K3202 - 3/8	3/8" - 16	730	572	38
K3202 - 1/2	1/2" - 13	1350	1057	54
K3202 - 5/8	5/8" - 11	2160	1692	91
K3202 - 3/4	3/4" - 10	3230	2530	130
K3202 - 7/8	7/8" - 9	4480	3508	202
K3202 - 1	1" - 8	5900	4620	270
K3202 - 1 1/8	1 1/8" - 7	7450	5830	354
K3202 - 1 1/4	1 1/4" - 7	9500	7440	445
K3202 - 1 1/2	1 1/2" - 6	13800	10807	640
K3202 - 1 3/4	1 3/4" - 5	18600	14566	1100
K3202 - 2	2" - 4 1/2	24600	19625	1490

**Notes:** 3", 9" and 12" openings are available on special request. Turnbuckle has one end that is right-handed thread, other end is left-handed thread.





# Extension Piece - K3203



**Material:** Malleable Iron

**Standard Finish:** Plain

**Service:** Designed for supporting hanger rod from beam clamps and other attachments allowing for vertical adjustment

**Ordering:** Specify part number and finish

Part Number	Rod Size "A"	For Nominal Pipe Sizes	"B"	"C"
K3203 - 3/8	3/8" - 16	3/4" to 2"	2 1/16"	1 1/4"
K3203 - 1/2	1/2" - 13	2 1/2" to 3 1/2"	2 1/16"	1 3/8"
K3203 - 5/8	5/8" - 11	4" to 5"	2 7/16"	1 1/2"
K3203 - 3/4	3/4" - 10	6"	2 7/8"	1 3/4"
K3203 - 7/8	7/8" - 9	8" to 12"	3"	1 7/8"

Part Number	"D"	"E"	"F"	"G"	Design Load (Lbs.)	Wt./C (Lbs.)
K3203 - 3/8	1 1/4"	9/16"	1/2"	1/2"	730	18
K3203 - 1/2	1 3/8"	11/16"	5/8"	1/2"	1350	37
K3203 - 5/8	1 7/16"	3/4"	5/8"	1/2"	1550	42
K3203 - 3/4	1 11/16"	7/8"	5/8"	1/2"	2100	56
K3203 - 7/8	1 3/4"	7/8"	3/4"	9/16"	2350	75



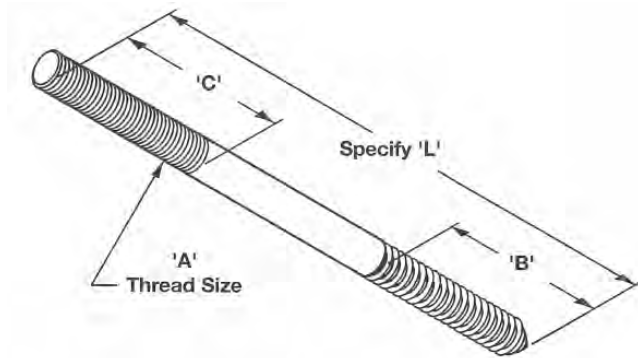
## Coach Screw Rod - K3213

**Material:** Steel

**Standard Finish:** Plain or Electro-Plated

**Service:** Designed for suspending pipe supports from wood structures

**Ordering:** Specify part number, rod size, length and finish



Part Number	Thread Size "A"	Standard Rod Lengths "L"	Coach Screw Thread Length "B"	Rod Thread Length "C"	Design Load (Lbs.)
K3213 - 3/8 x L	3/8" - 16	4", 6", 8", 10", 12"	2"	2"	390
K3213 - 1/2 x L	1/2" - 13	4", 6", 8", 10", 12"	2 1/2"	2 1/2"	640

**Note:** Design Load is based on proper installation and solid wood

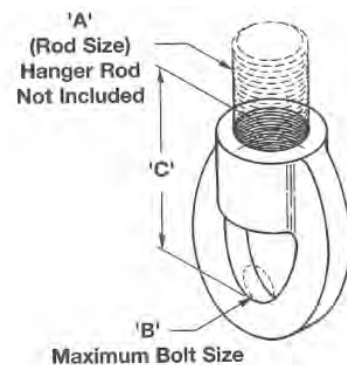
## Eye Socket - K3222

**Material:** Malleable Iron

**Standard Finish:** Plain or Electro-Plated

**Service:** Designed for use with K3175 Ring and Bolt Hanger as a non-adjustable threaded rod connection

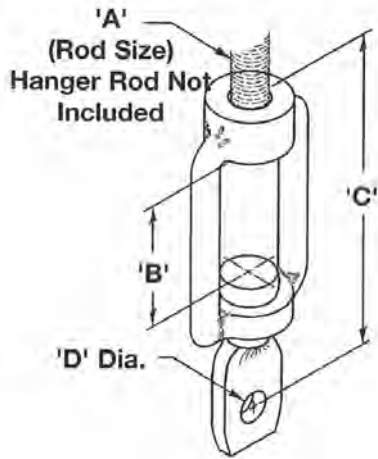
**Ordering:** Specify part number and finish



Part Number	Rod Size "A"	Max. Bolt Size "B"	"C"	Design Load (Lbs.)	Wt./C (Lbs.)
K3222 - 1/4	1/4" - 20	1/4"	1 1/8"	400	6
K3222 - 3/8	3/8" - 16	1/4"	1 3/8"	730	9
K3222 - 1/2	1/2" - 13	1/4"	1 1/2"	1350	16
K3222 - 5/8	5/8" - 11	3/8"	1 3/4"	1580	21
K3222 - 3/4	3/4" - 10	1/2"	2"	1900	38



## Hanger Adjuster - K3224



**Material:** Malleable Iron

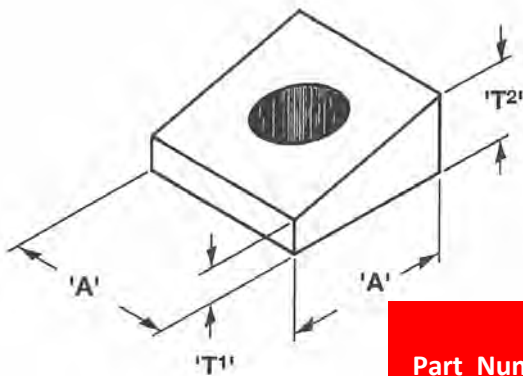
**Standard Finish:** Plain or Electro-Plated

**Service:** Designed to provide vertical rod adjustment when used with K3175 Ring and Bolt Hanger

**Ordering:** Specify part number and finish

Part Number	Rod Size "A"	For Nominal Pipe Sizes	"B"	"C"	"D"	Design Load (Lbs.)	Wt./C (Lbs.)
K3224 - 1/4	1/4" - 20	3/8"	1 3/4"	3 7/8"	7/32"	230	9
K3224 - 3/8	3/8" - 16	1/2" to 2"	1 3/4"	3 7/8"	13/32"	730	28
K3224 - 1/2	1/2" - 13	2 1/2" to 3 1/2"	1 3/4"	3 7/8"	13/32"	730	29
K3224 - 5/8	5/8" - 11	4" to 5"	2 1/4"	5 1/8"	1/2"	730	30
K3224 - 3/4	3/4" - 10	6"	2 1/4"	5 1/8"	9/16"	860	74

## Bevel Washer - K3234



**Material:** Malleable Iron

**Standard Finish:** Plain or Electro-Plated

**Service:** Designed for attaching bolts to the taper of an I-beam or channel flange.

**Ordering:** Specify part number and finish.

Part Number	For Bolt Size	"A"	"T1"	"T2"	Wt./C (Lbs.)
K3234 - 3/8	3/8" - 16	1 1/4"	5/32"	11/32"	9
K3234 - 1/2	1/2" - 13	1 1/4"	5/32"	11/32"	9
K3234 - 5/8	5/8" - 11	1 1/2"	5/32"	13/32"	14
K3234 - 3/4	3/4" - 10	1 1/2"	7/32"	15/32"	16
K3234 - 7/8	7/8" - 9	2"	7/32"	9/16"	33
K3234 - 1	1" - 8	2"	7/32"	9/16"	31
K3234 - 1 1/8	1 1/8" - 7	2 1/4"	9/32"	5/8"	48
K3234 - 1 1/4	1 1/4" - 7	2 1/2"	5/16"	23/32"	67



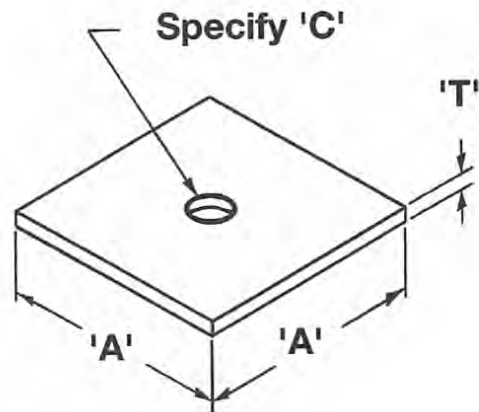
# Steel Washer Plate - K3248

**Material:** Steel

**Standard Finish:** Plain or Electro-Plated

**Service:** Designed as a heavy-duty washer to suspend hanger rods

**Ordering:** Specify part number and finish



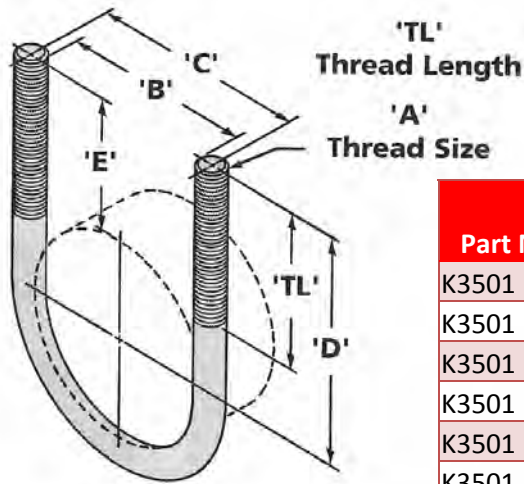
Part Number	"A"	"T"	"C"	Wt./C (Lbs.)
K3248 - 2 x 2 x 1/8	2"	1/8"	Specify	14
K3248 - 3 x 3 x 1/8	3"	1/8"	Specify	32
K3248 - 4 x 4 x 1/8	4"	1/8"	Specify	57
K3248 - 5 x 5 x 1/8	5"	1/8"	Specify	87
K3248 - 6 x 6 x 1/8	6"	1/8"	Specify	128
K3248 - 2 x 2 x 3/16	2"	3/16"	Specify	21
K3248 - 3 x 3 x 3/16	3"	3/16"	Specify	48
K3248 - 4 x 4 x 3/16	4"	3/16"	Specify	84
K3248 - 5 x 5 x 3/16	5"	3/16"	Specify	133
K3248 - 6 x 6 x 3/16	6"	3/16"	Specify	191
K3248 - 2 x 2 x 1/4	2"	1/4"	Specify	28
K3248 - 3 x 3 x 1/4	3"	1/4"	Specify	64
K3248 - 4 x 4 x 1/4	4"	1/4"	Specify	113
K3248 - 5 x 5 x 1/4	5"	1/4"	Specify	177
K3248 - 6 x 6 x 1/4	6"	1/4"	Specify	255
K3248 - 3 x 3 x 3/8	3"	3/8"	Specify	96
K3248 - 4 x 4 x 3/8	4"	3/8"	Specify	170
K3248 - 5 x 5 x 3/8	5"	3/8"	Specify	266
K3248 - 6 x 6 x 3/8	6"	3/8"	Specify	383
K3248 - 4 x 4 x 1/2	4"	1/2"	Specify	226
K3248 - 5 x 5 x 1/2	5"	1/2"	Specify	354
K3248 - 6 x 6 x 1/2	6"	1/2"	Specify	510
K3248 - 8 x 8 x 1/2	8"	1/2"	Specify	906

## Hole Size Chart

Rod Size	Hole Size
1/4"	5/16"
5/16"	3/8"
3/8"	7/16"
1/2"	9/16"
5/8"	11/16"
3/4"	13/16"
7/8"	15/16"
1"	1 1/8"
1 1/8"	1 1/4"
1 1/4"	1 3/8"
1 1/2"	1 5/8"
1 3/4"	1 7/8"
2"	2 1/8"



# Light Duty U-Bolt - K3501



**Material:** Steel

**Standard Finish:** Plain or Electro-Plated

**Service:** Designed as a support, guide or anchor for light-duty pipe

**Ordering:** Specify part number and finish (order Hex Nuts separately)

Part Number	Nominal Pipe Size	Thread Size "A"	Thread Length "TL"
K3501 - 1/2	1/2"	1/4" - 20	1 3/4"
K3501 - 3/4	3/4"	1/4" - 20	1 3/4"
K3501 - 1	1"	1/4" - 20	1 3/4"
K3501 - 1 1/4	1 1/4"	1/4" - 20	1 3/4"
K3501 - 1 1/2	1 1/2"	1/4" - 20	1 3/4"
K3501 - 2	2"	1/4" - 20	1 3/4"
K3501 - 2 1/2	2 1/2"	3/8" - 16	2"
K3501 - 3	3"	3/8" - 16	2"
K3501 - 3 1/2	3 1/2"	3/8" - 16	2"
K3501 - 4	4"	3/8" - 16	2"
K3501 - 5	5"	3/8" - 16	2 1/4"
K3501 - 6	6"	1/2" - 13	2 1/4"
K3501 - 7	8"	1/2" - 13	2 1/4"
K3501 - 10	10"	5/8" - 11	2 1/2"
K3501 - 12	12"	5/8" - 11	2 1/2"

Part Number	"B"	"C"	Tangent "D"	"E"	Design Load (Lbs.)	Wt./C (Lbs.)
K3501 - 1/2	15/16"	1 3/16"	1 15/16"	1 1/2"	580	6
K3501 - 3/4	1 1/8"	1 3/8"	2 1/16"	1 9/16"	580	7
K3501 - 1	1 3/8"	1 5/8"	2 3/16"	1 17/32"	580	7
K3501 - 1 1/4	1 11/16"	1 15/16"	2 3/8"	1 17/32"	580	8
K3501 - 1 1/2	2"	2 1/4"	2 7/16"	1 1/2"	580	9
K3501 - 2	2 7/16"	2 11/16"	2 11/16"	1 1/2"	580	10
K3501 - 2 1/2	2 15/16"	3 5/16"	3 1/16"	1 5/8"	1460	28
K3501 - 3	3 9/16"	3 15/16"	3 3/8"	1 5/8"	1460	32
K3501 - 3 1/2	4 1/16"	4 7/16"	3 5/8"	1 5/8"	1460	35
K3501 - 4	4 9/16"	4 15/16"	3 7/8"	1 5/8"	1460	38
K3501 - 5	5 5/8"	6"	4 9/16"	1 25/32"	1460	45
K3501 - 6	6 3/4"	7 1/4"	5 1/16"	1 3/4"	2700	100
K3501 - 7	8 3/4"	9 1/4"	6 1/16"	1 3/4"	2700	124
K3501 - 10	10 7/8"	11 1/2"	7 1/4"	1 7/8"	4320	237
K3501 - 12	12 7/8"	13 1/2"	8 1/4"	1 7/8"	4320	275



## All Threaded Rod - ATR 6'

**Material:** Steel

**Standard Finish:** Plain, Stainless Steel, Electro-Plated

**Service:** Designed for use in pipe hanger assemblies.

**Ordering:** Specify part number, length and finish.



Part Number	Size	Threads Per Inch	Recommended Load (Lbs.)	Wt./C Ft. (Lbs.)
ATR - 1/4 x 6	1/4" x 6'	20	240	12
ATR - 5/16 x 6	5/16" x 6'	18	400	19
ATR - 3/8 x 6	3/8" x 6'	16	610	29
ATR - 1/2 x 6	1/2" x 6'	13	1130	53
ATR - 5/8 x 6	5/8" x 6'	11	1810	89
ATR - 3/4 x 6	3/4" x 6'	10	2710	123
ATR - 7/8 x 6	7/8" x 6'	9	3700	170
ATR - 1 x 6	1" x 6'	8	4960	225
ATR - 1 1/4 x 6	1 1/4" x 6'	7	9500	360
ATR - 1 1/2 x 6	1 1/2" x 6'	6	13800	510

## All Threaded Rod - ATR 10'

**Material:** Steel

**Service:** Designed for use in pipe hanger assemblies.

**Standard Finish:** Plain, Stainless Steel, Electro-Plated

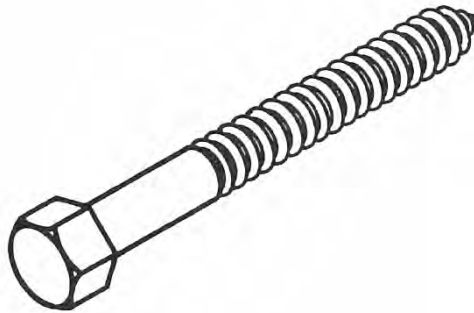
**Ordering:** Specify part number, length and finish.



Part Number	Size	Threads Per Inch	Recommended Load (Lbs.)	Wt./C Ft. (Lbs.)
ATR - 1/4 x 10	1/4" x 10'	20	240	12
ATR - 5/16 x 10	5/16" x 10'	18	400	19
ATR - 3/8 x 10	3/8" x 10'	16	610	29
ATR - 1/2 x 10	1/2" x 10'	13	1130	53
ATR - 5/8 x 10	5/8" x 10'	11	1810	89
ATR - 3/4 x 10	3/4" x 10'	10	2710	123
ATR - 7/8 x 10	7/8" x 10'	9	3700	170
ATR - 1 x 10	1" x 10'	8	4960	225
ATR - 1 1/4 x 10	1 1/4" x 10'	7	9500	360
ATR - 1 1/2 x 10	1 1/2" x 10'	6	13800	510



# Hex Head Lag Bolt



**Material:** Steel

**Standard Finish:** Electro-Plated

**Service:** For fastening light load attachments to wood beams

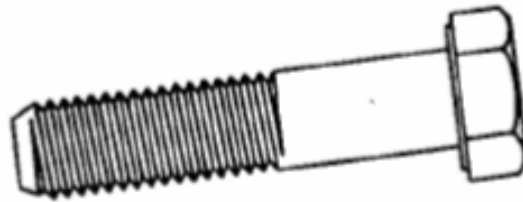
**Ordering:** Specify part number and finish

**Weight:** Wt./C 1.1 lbs

Part Number	Length	Bolt Diameter and Wt./C (Lbs.)				
		1/4"	3/8"	1/2"	5/8"	3/4"
Lag - D x 1 1/2	1 1/2"	2.3	6	11.8	19.4	32.3
Lag - D x 2	2"	2.8	7	14.4	23.2	38.3
Lag - D x 2 1/2	2 1/2"	3.3	8.3	16.2	27	44
Lag - D x 3	3"	3.9	9.8	18.6	31	47.7
Lag - D x 3 1/2	3 1/2"	4.4	11.4	21.2	34.8	56.3
Lag - D x 4	4"	5	12.5	23.3	37.6	58.5
Lag - D x 4 1/2	4 1/2"	5.7	14	26.1	42.6	64
Lag - D x 5	5"	6.3	15.4	29	45.5	68
Lag - D x 5 1/2	5 1/2"	7	16.4	31.5	49.3	74
Lag - D x 6	6"	7.4	18.3	34	53	77



# Flange Bolt



**Material:** Steel

**Standard Finish:** Plain or Galvanized

**Ordering:** Specify size and finish

**Notes:** Non-listed sizes, stainless, heat treated and alloy steel bolts are also available

Diameter	Length	Wt./C (Lbs.)
1/2"	1 3/4"	20
1/2"	2"	21
1/2"	2 1/4"	22
5/8"	2 1/4"	37
5/8"	2 1/2"	39
5/8"	2 3/4"	41
5/8"	3"	43
3/4"	3"	67
3/4"	3 1/4"	70
3/4"	3 1/2"	73
3/4"	3 3/4"	76
3/4"	4"	80
7/8"	3 3/4"	110
7/8"	4 1/2"	123
1"	4 1/2"	167
1"	5 1/2"	189
1 1/8"	5"	234
1 1/8"	5 1/2"	248
1 1/8"	6"	261
1 1/4"	5 1/2"	320
1 1/4"	6 1/2"	353
1 1/4"	7"	370

