

Pipe Clamps

Pipe clamps presented in this section are designed for support and attachment of pipe to structural steel. Various types of pipe clamps and sizes are available for numerous applications.

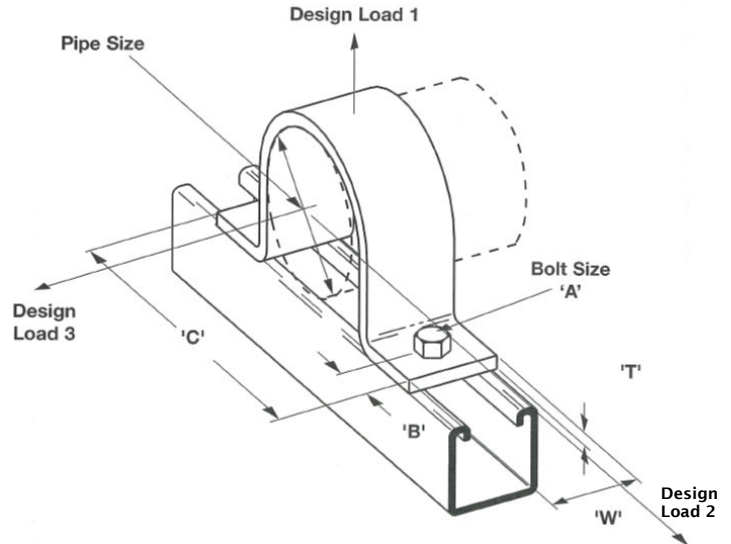
Materials: Carbon Steel is used in the manufacturing of riser and pipe clamps. Stainless Steel and other materials are also available.

Finishes: Finishes for pipe supports in this section are Plain Steel, Electro-Plated Zinc, Hot Dipped Galvanized, Red Primer, Plastic Coating, Copper Plated, Stainless Steel and other special coatings are also available.

Notes: All hangers in this section are sized to fit schedule 40/80 pipe unless otherwise noted. Some steel items may be specially fabricated to accommodate other pipe diameters. Products in this section are designed and manufactured in accordance with industry standards. RHK is not responsible for injuries and damage which could result from improper and negligent installation of the items.

Standard Pipe Strap - K2400

Material: Steel (Stainless Steel available)
Standard Finish: Plain or Electro-Plated
Service: Designed for supporting pipe runs from strut supports
Ordering: Specify part number and finish

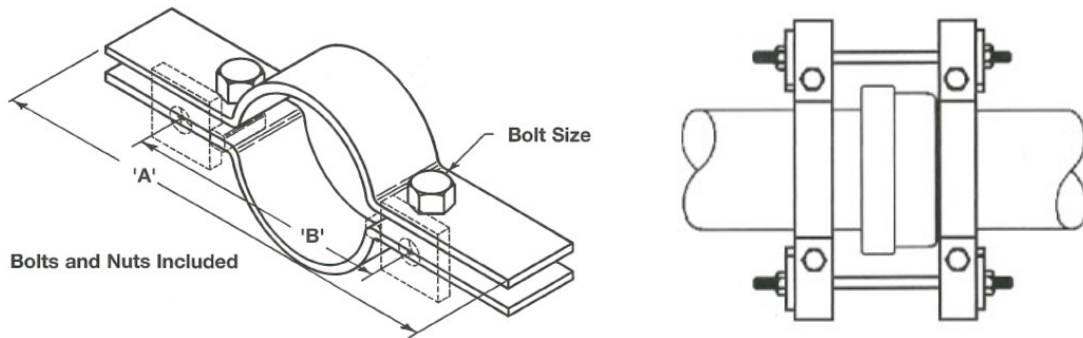


Part Number	Pipe Size	"A"	"B"	"C"	"T"	"W"	Design Load 1 (Lbs.)	Design Load 2 (Lbs.)	Design Load 3 (Lbs.)	Wt./C (Lbs.)
K2400 - 1/2	1/2"	5/16"	7/16"	2 13/16"	10 Ga.	1 5/8"	600	150	105	23
K2400 - 3/4	3/4"	5/16"	7/16"	3"	10 Ga.	1 5/8"	600	150	105	26
K2400 - 1	1"	5/16"	7/16"	3 17/32"	10 Ga.	1 5/8"	600	150	120	31
K2400 - 1 1/4	1 1/4"	5/16"	7/16"	3 3/4"	10 Ga.	1 5/8"	600	150	120	36
K2400 - 1 1/2	1 1/2"	5/16"	7/16"	4 1/16"	10 Ga.	1 5/8"	600	150	120	39
K2400 - 2	2"	7/16"	11/16"	5 21/32"	1/4"	1 5/8"	1200	480	180	93
K2400 - 2 1/2	2 1/2"	7/16"	11/16"	6 5/32"	1/4"	1 5/8"	1200	480	180	106
K2400 - 3	3"	7/16"	11/16"	6 25/32"	1/4"	1 5/8"	1200	480	300	132
K2400 - 3 1/2	3 1/2"	7/16"	11/16"	7 9/32"	1/4"	1 5/8"	1200	480	300	151
K2400 - 4	4"	9/16"	11/16"	7 25/32"	1/4"	1 5/8"	1500	600	450	160
K2400 - 5	5"	9/16"	11/16"	8 7/8"	1/4"	1 5/8"	1500	600	450	192
K2400 - 6	6"	9/16"	11/16"	9 15/16"	1/4"	1 5/8"	1500	600	450	219
K2400 - 8	8"	9/16"	11/16"	11 31/32"	1/4"	1 5/8"	2000	800	600	297
K2400 - 10	10"	9/16"	11/16"	14"	1/4"	1 5/8"	2000	800	600	465
K2400 - 12	12"	9/16"	11/16"	16"	1/4"	1 5/8"	2000	800	600	560
K2400 - 14	14"	15/16"	1 5/16"	20 3/8"	3/8"	1 3/4"	2000	800	600	761
K2400 - 16	16"	15/16"	1 5/16"	22 3/8"	3/8"	1 3/4"	2000	800	600	861
K2400 - 18	18"	15/16"	1 5/16"	26 1/8"	1/2"	1 3/4"	2000	800	600	1297
K2400 - 20	20"	15/16"	1 5/16"	28 1/8"	1/2"	1 3/4"	2000	800	600	1426
K2400 - 24	24"	15/16"	1 5/16"	32 1/8"	1/2"	1 3/4"	2000	800	600	1682

Note: Ductile iron sizes available



Two-Bolt Underground Clamp - K3132



Material: Steel

Standard Finish: Plain or Electro-Plated (Hot-Dip Galvanized available)

Service: Designed to prevent separation of caulked joints on AWWA ductile iron water pipes

Ordering: Specify part number and finish (Order K3132W Lug Washers, Tie Rods, and Hex Nuts separately)

Part Number	Nominal Pipe Size	"A"	"B"	Clamp "I.D."	Bolt Size	Wt./C (Lbs.)
K3132 - 4	4"	12 7/8"	9 3/4"	5"	5/8" - 11 x 3"	864
K3132 - 6	6"	14 3/4"	12"	7 1/16"	5/8" - 11 x 3"	1020
K3132 - 8	8"	17 1/4"	14 1/4"	9 3/16"	5/8" - 11 x 3"	1222
K3132 - 10	10"	19 3/8"	16 1/2"	11 3/8"	5/8" - 11 x 3"	1409
K3132 - 12	12"	21 7/8"	18 7/8"	13 1/2"	5/8" - 11 x 3"	1608
K3132 - 14	14"	26"	22 1/4"	15 3/4"	7/8" - 9 x 4 1/2"	4359
K3132 - 16	16"	28 3/8"	24 5/8"	17 7/8"	1" - 8 x 4 1/2"	6403
K3132 - 18	18"	31 3/8"	27 5/8"	20"	1 1/4" - 7 x 5"	7293
K3132 - 20	20"	33 1/2"	29 3/4"	22 1/8"	1 1/4" - 7 x 5"	8778
K3132 - 24	24"	39"	35 1/4"	26 3/8"	1 1/4" - 6 x 5 1/2"	11659



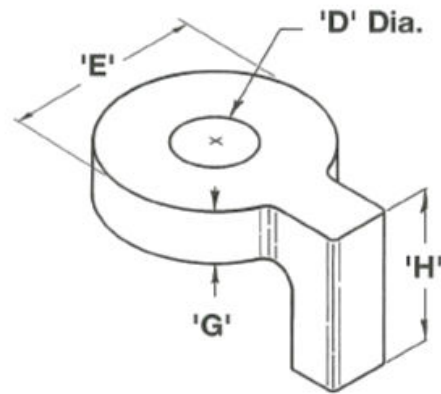
Lug Washer - K3132W

Material: Ductile iron for K3132W - 3/4, steel for other sizes

Standard Finish: Plain or Electro-Plated

Service: Designed to use with K3132 Two-Bolt Underground Clamp for aligning and securing tie rods

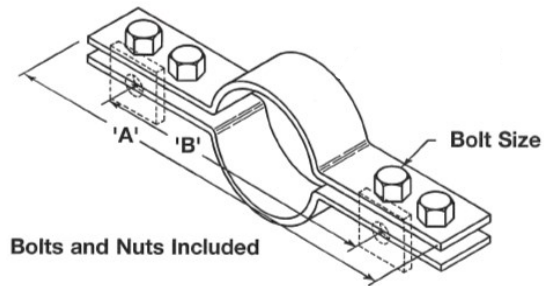
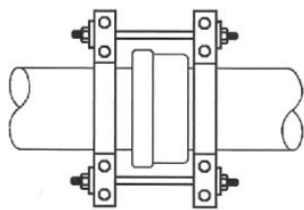
Ordering: Specify part number and finish



Part Number	Tie Rod Size	For Use with Pipe Size	Diameter "D"	"E"	"G"	"H"	Wt./C (Lbs.)
K3132W - 3/4	3/4" - 10	4" to 12"	7/8"	2 3/8"	5/8"	4 5/8"	74
K3132W - 1	1" - 8	14" to 16"	1 1/8"	3 1/2"	5/8"	2 1/2"	207
K3132W - 1 1/4	1 1/4" - 7	18"	1 3/8"	3 1/2"	5/8"	3 1/2"	236
K3132W - 1 3/8	1 3/8" - 6	20"	1 1/2"	4"	5/8"	4"	231
K3132W - 1 1/2	1 1/2" - 6	24"	1 5/8"	4"	5/8"	4"	259



Four Bolt Underground Clamp - K3134



Material: Steel

Standard Finish: Plain or Electro-Plated

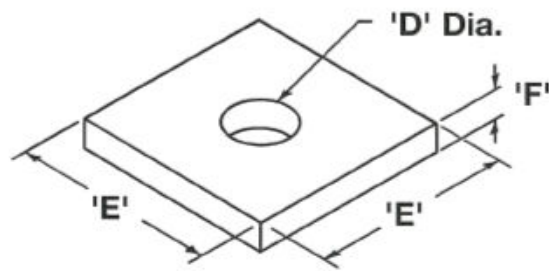
Service: Designed to prevent separation of caulked joints on AWWA ductile iron water pipes

Ordering: Specify part number and finish (Order K3134W Washer, Tie Rods and Hex Nuts separately)

Part Number	Nominal Pipe Size	"A"	"B"	Clamp "I.D."	Bolt Size	Maximum Test Pressure (psi)	Force on Clamp (Lbs.)	Wt./C (Lbs.)
K3134 - 4	4"	14 7/16"	9 5/8"	5"	5/8" - 11 x 3"	250	4550	1012
K3134 - 6	6"	16 7/8"	11 7/8"	7 1/8"	5/8" - 11 x 3"	250	9340	1204
K3134 - 8	8"	19 1/8"	14 1/8"	9 5/16"	5/8" - 11 x 3 1/2"	250	16080	2091
K3134 - 10	10"	21 3/8"	16 5/8"	11 1/2"	3/4" - 10 x 4"	250	24180	2466
K3134 - 12	12"	25 1/8"	19 5/8"	13 1/2"	7/8" - 9 x 4"	250	34230	3537
K3134 - 14	14"	28 1/4"	22 1/4"	15 3/4"	7/8" - 9 x 4 1/2"	120	22200	4718
K3134 - 16	16"	32 1/8"	26 1/4"	17 7/8"	1" - 8 x 4 1/2"	115	27760	7155
K3134 - 18	18"	35 1/8"	28 1/8"	20"	1 1/4" - 7 x 5"	100	23900	8179
K3134 - 20	20"	37 3/4"	30 1/2"	22 1/8"	1 1/4" - 7 x 5"	75	27500	9856
K3134 - 24	24"	44 1/4"	36"	26 3/8"	1 1/2" - 6 x 5 1/2"	50	26200	13384



Washer - K3134W



Material: Steel

Standard Finish: Plain or Electro-Plated

Service: Designed for use with K3134 Four-Bolt Underground Clamp to secure tie rods

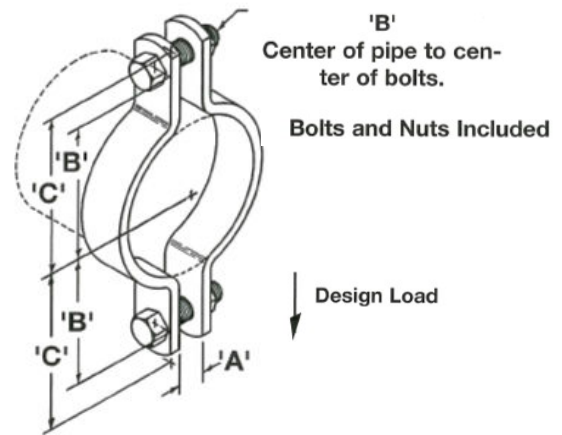
Ordering: Specify part number and finish

Part Number	Tie Rod Size	For Use with Pipe Size	Diameter "D"	"E"	"F"	Wt./C (Lbs.)
K3134W - 3/4	3/4" - 10	4" to 8"	7/8"	3"	1/2"	119
K3134W - 1	1" - 8	10" to 12"	1 1/8"	3 1/2"	1/2"	159
K3134W - 1 1/8	1 1/8" - 7	14" to 16"	1 1/4"	3 1/2"	5/8"	181
K3134W - 1 1/4	1 1/4" - 7	18"	1 3/8"	4"	3/4"	229
K3134W - 1 3/8	1 3/8" - 6	20"	1 1/2"	4"	3/4"	223
K3134W - 1 1/2	1 1/2" - 6	24"	1 5/8"	4 1/2"	3/4"	217



Standard Pipe Clamp - K3140

Material: Steel (Stainless Steel available)
Standard Finish: Plain, Electro-Plated, or Hot-Dip Galvanized
Service: Designed for suspending non-insulated pipe runs (Use with K3200 Weldless Eye Nut, K3210 Eye Rod, or K3211 Welded Eye Rod)
Ordering: Specify part number and finish



Part Number	Nominal Pipe Size	"A"	"B"	"C"	Bolt Size	Maximum Design Load for Service Temperature 650°F (Lbs.)	Maximum Design Load for Service Temperature 750°F (Lbs.)	Wt./C (Lbs.)
K3140 - 1/2	1/2"	3/8"	31/32"	1 17/32"	5/16" - 18 x 1 1/4"	500	390	30
K3140 - 3/4	3/4"	9/16"	1 3/32"	1 21/32"	5/16" - 18 x 1 1/4"	500	390	31
K3140 - 1	1"	9/16"	1 5/16"	1 7/8"	5/16" - 18 x 1 1/4"	500	390	32
K3140 - 1 1/4	1 1/4"	17/32"	1 7/16"	2"	5/16" - 18 x 1 1/4"	500	390	39
K3140 - 1 1/2	1 1/2"	19/32"	1 21/32"	2 7/32"	5/16" - 18 x 1 1/4"	800	620	41
K3140 - 2	2"	9/16"	2 1/8"	2 3/4"	1/2" - 13 x 2"	1040	810	118
K3140 - 2 1/2	2 1/2"	5/8"	2 21/32"	3 9/32"	1/2" - 13 x 2"	1040	810	130
K3140 - 3	3"	5/8"	2 15/16"	3 9/16"	1/2" - 13 x 2"	1040	810	150
K3140 - 3 1/2	3 1/2"	5/8"	3 5/32"	3 25/32"	1/2" - 13 x 2"	1040	810	158
K3140 - 4	4"	3/4"	3 9/16"	4 5/16"	5/8" - 11 x 2 1/4"	1040	810	239
K3140 - 5	5"	3/4"	4 1/8"	4 7/8"	5/8" - 11 x 2 1/4"	1040	810	272
K3140 - 6	6"	7/8"	4 15/16"	5 13/16"	3/4" - 10 x 2 3/4"	1615	1260	541
K3140 - 8	8"	1"	6 1/16"	6 15/16"	3/4" - 10 x 3"	1615	1260	642
K3140 - 10	10"	1"	7 3/8"	8 11/16"	7/8" - 9 x 3 1/2"	2490	1950	1366
K3140 - 12	12"	1"	8 7/16"	9 3/4"	7/8" - 9 x 3 1/2"	2490	1950	1543
K3140 - 14	14"	1 1/8"	9 1/4"	10 5/8"	7/8" - 9 x 3 1/2"	2490	1950	2077
K3140 - 16	16"	1 1/8"	10 1/4"	11 5/8"	7/8" - 9 x 3 1/2"	2490	1950	2289
K3140 - 18	18"	1 1/4"	11 7/8"	13 1/4"	1" - 8 x 4"	3060	2390	3206
K3140 - 20	20"	1 3/8"	12 3/4"	14 1/8"	1 1/8" - 7 x 4 1/2"	3060	2390	3616
K3140 - 24	24"	1 5/8"	15 1/4"	16 7/8"	1 1/4" - 7 x 5"	3060	2390	5161
K3140 - 30	30"	2 1/4"	18 5/8"	21"	1 1/2" - 6 x 6"	3500	2740	10460



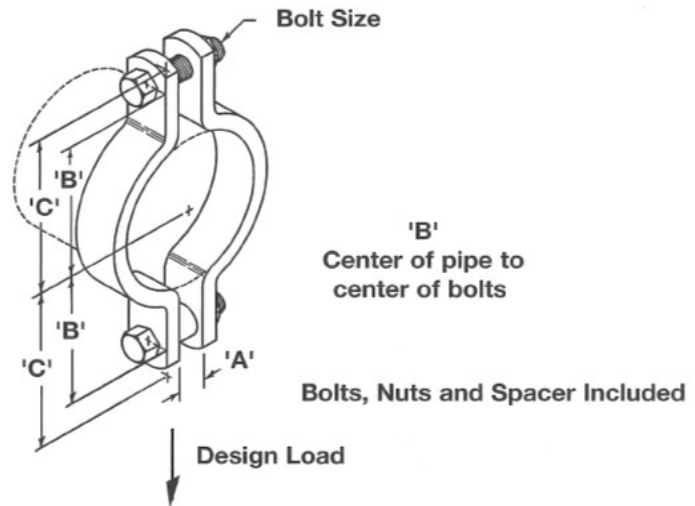
Heavy Duty Pipe Clamp - K3142

Material: Steel

Standard Finish: Plain or Electro-Plated

Service: Designed for suspending non-insulated, heavy-duty pipe runs (use with K3200 Weldless Eye Nut, K3210 Eye Rod or K3211 Welded Eye Rod)

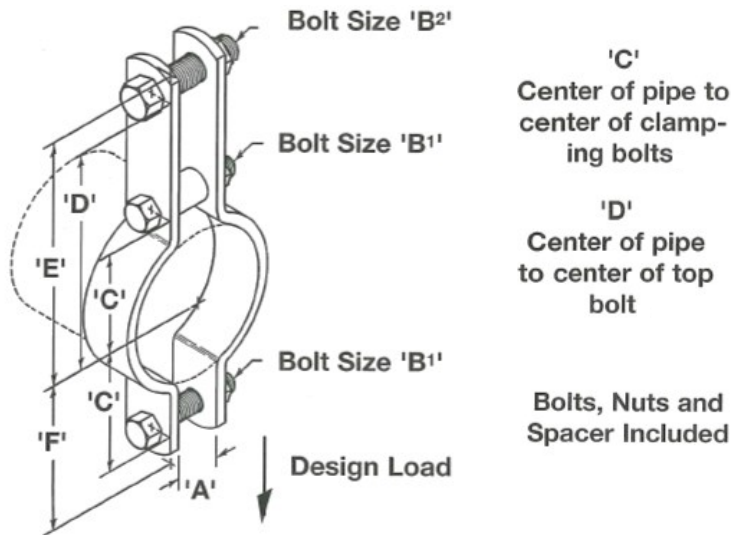
Ordering: Specify part number and finish



Part Number	Nominal Pipe Size	"A"	"B"	"C"	Bolt Size	Maximum Design Load for Service Temperature 650°F (Lbs.)	Maximum Design Load for Service Temperature 750°F (Lbs.)	Wt./C (Lbs.)
K3142 - 3	3"	1"	3 1/8"	4 1/8"	3/4" - 10 x 2 3/4"	3370	2640	404
K3142 - 4	4"	1"	3 3/4"	5 1/16"	7/8" - 9 x 3"	3515	2750	616
K3142 - 5	5"	1"	4 3/8"	5 11/16"	7/8" - 9 x 3"	3515	2750	687
K3142 - 6	6"	1 1/8"	5 1/4"	6 1/4"	1" - 8 x 3 1/2"	4865	3800	1293
K3142 - 8	8"	1 1/8"	6 1/4"	7 3/4"	1" - 8 x 4"	4865	3800	1523
K3142 - 10	10"	1 1/4"	7 11/16"	9 1/16"	1 1/4" - 7 x 4"	6010	4700	2348
K3142 - 12	12"	1 5/8"	9 1/8"	10 3/4"	1 1/4" - 7 x 5"	8675	6770	3749
K3142 - 14	14"	1 5/8"	10 1/8"	12"	1 1/2" - 6 x 5 1/2"	9120	7140	5011
K3142 - 16	16"	1 5/8"	11"	12 7/8"	1 3/4" - 5 x 5 1/2"	9120	7140	5885
K3142 - 18	18"	3"	14 1/2"	18 1/2"	2" - 4 1/2 x 7"	13800	10800	12902
K3142 - 20	20"	3"	16"	20"	2" - 4 1/2 x 7"	15300	11900	15113
K3142 - 24	24"	3 1/4"	18 1/2"	23"	2" - 4 1/2 x 8"	16300	12700	20561
K3142 - 30	30"	3 1/2"	22 1/2"	27 1/2"	2 1/4" - 4 1/2 x 9"	20500	16000	36658



Double Bolt Pipe Clamp - K3144...



Part Number	Nominal Pipe Size	"A"	Bolt Size "B1"	Bolt Size "B2"	"C"
K3144 - 3/4	3/4"	5/8"	3/8" - 16 x 1 3/4"	1/2" - 13 x 2"	1 3/8"
K3144 - 1	1"	5/8"	3/8" - 16 x 1 3/4"	1/2" - 13 x 2"	1 3/8"
K3144 - 1 1/4	1 1/4"	5/8"	3/8" - 16 x 1 3/4"	1/2" - 13 x 2"	1 1/2"
K3144 - 1 1/2	1 1/2"	1 1/16"	1/2" - 13 x 2 1/2"	5/8" - 11 x 2 1/2"	1 13/16"
K3144 - 2	2"	1 1/16"	1/2" - 13 x 2 1/2"	5/8" - 11 x 2 1/2"	2 1/8"
K3144 - 2 1/2	2 1/2"	1 1/16"	1/2" - 13 x 2 1/2"	5/8" - 11 x 2 1/2"	2 3/8"
K3144 - 3	3"	1 1/16"	1/2" - 13 x 2 1/2"	5/8" - 11 x 2 1/2"	2 15/16"
K3144 - 4	4"	1 1/16"	5/8" - 11 x 2 3/4"	3/4" - 10 x 3"	3 1/2"
K3144 - 5	5"	1 1/16"	5/8" - 11 x 2 3/4"	3/4" - 10 x 3"	4"
K3144 - 6	6"	1 7/16"	3/4" - 10 x 3 1/4"	1" - 8 x 3 1/2"	5"
K3144 - 8	8"	1 7/16"	3/4" - 10 x 3 1/4"	1" - 8 x 3 1/2"	6"
K3144 - 10	10"	1 7/16"	3/4" - 10 x 3 1/4"	1" - 8 x 3 1/2"	7 1/8"
K3144 - 12	12"	1 7/16"	3/4" - 10 x 3 1/4"	1" - 8 x 3 1/2"	7 7/8"
K3144 - 14	14"	2"	1" - 8 x 4 1/2"	1 1/4" - 7 x 5"	9 1/16"
K3144 - 16	16"	2"	1" - 8 x 4 1/2"	1 1/4" - 7 x 5"	10 1/16"
K3144 - 18	18"	2"	1" - 8 x 4 1/2"	1 1/4" - 7 x 5"	11 1/16"
K3144 - 20	20"	2"	1" - 8 x 5"	1 1/4" - 7 x 5"	12 3/8"
K3144 - 24	24"	2"	1 1/8" - 7 x 5"	1 1/2" - 6 x 5 1/2"	14 3/4"



Double Bolt Pipe Clamp (cont.)

Material: Steel (Stainless Steel available)

Standard Finish: Plain or Electro-Plated

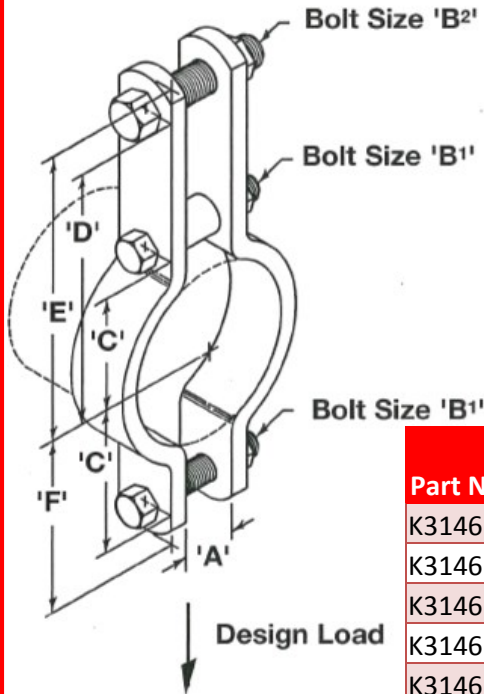
Service: Designed for suspending high-temperature (maximum 750°F) pipe runs requiring up to 4" thick insulation (use with K3200 Welded Eye Rod)

Ordering: Specify part number and finish. For service temperatures of 750°F thru 1050°F specify type 304 Stainless Steel

Part Number	"D"	"E"	"F"	Maximum Design Load for Service Temperature 650°F (Lbs.)	Maximum Design Load for Service Temperature 750°F (Lbs.)	Wt./C (Lbs.)
K3144 - 3/4	4"	4 3/4"	1 7/8"	950	740	146
K3144 - 1	4"	4 3/4"	1 7/8"	950	740	147
K3144 - 1 1/4	4"	4 3/4"	2"	950	740	152
K3144 - 1 1/2	4 1/8"	4 7/8"	2 3/8"	1545	1200	200
K3144 - 2	5 1/8"	5 7/8"	2 11/16"	1545	1200	226
K3144 - 2 1/2	5 3/8"	6 1/8"	2 15/16"	1545	1200	239
K3144 - 3	5 15/16"	6 11/16"	3 1/2"	1545	1200	264
K3144 - 4	6 1/2"	7 5/8"	4 1/2"	2500	1950	672
K3144 - 5	7"	8 1/8"	5"	2500	1950	752
K3144 - 6	8 9/16"	9 15/16"	6 1/8"	2865	2240	1158
K3144 - 8	9 9/16"	10 15/16"	7 1/8"	2865	2240	1325
K3144 - 10	10 5/8"	12"	8 1/4"	3240	2530	1505
K3144 - 12	11 5/8"	13"	9 1/4"	3240	2530	1671
K3144 - 14	12 11/16"	14 5/16"	10 11/16"	4300	3360	3666
K3144 - 16	13 11/16"	15 5/16"	11 11/16"	4300	3360	3992
K3144 - 18	14 11/16"	16 5/16"	12 11/16"	4300	3360	4330
K3144 - 20	15 7/8"	17 1/2"	14"	4500	3520	5535
K3144 - 24	17 7/8"	19 1/2"	16 3/8"	4500	3520	6590



Heavy Duty Double Bolt Pipe Clamp - K3146



Material: Steel

Standard Finish: Plain or Electro-Plated

Service: Designed for suspending heavy-duty, high temperature pipe runs requiring up to 4" thick insulation (use with K3200 Weldless Eye Nut, K3210 Eye Rod or K3211 Welded Eye Rod)

Ordering: Specify part number and finish

Part Number	Nominal Pipe Size	"A"	Bolt Size "B1"	Bolt Size "B2"
K3146 - 6	6"	1 3/4"	3/4" - 10 x 3 1/2"	1" - 8 x 4"
K3146 - 8	8"	2"	3/4" - 10 x 4"	1" - 8 x 4 1/2"
K3146 - 10	10"	2 1/4"	1" - 8 x 4 1/2"	1 1/4" - 7 x 5"
K3146 - 12	12"	2 1/2"	1" - 8 x 5"	1 1/4" - 7 x 5 1/2"
K3146 - 14	14"	2 1/2"	1 1/8" - 7 x 5 1/2"	1 1/2" - 6 x 6"
K3146 - 16	16"	3"	1 1/4" - 7 x 6"	1 3/4" - 5 x 6 1/2"
K3146 - 18	18"	3 1/2"	1 1/2" - 6 x 7 1/2"	2" - 4 1/2 x 8"
K3146 - 20	20"	3 1/2"	1 1/2" - 6 x 7 1/2"	2" - 4 1/2 x 8"
K3146 - 24	24"	3 1/2"	1 1/2" - 6 x 7 1/2"	2" - 4 1/2 x 8"
K3146 - 30	30"	4 1/4"	1 3/4" - 5 x 8 1/2"	2 1/4" - 4 1/2 x 9"

Part Number	"C"	"D"	"E"	"F"	Maximum Design Load for Service Temperature 650°F (Lbs.)	Maximum Design Load for Service Temperature 750°F (Lbs.)	Wt./C (Lbs.)
K3146 - 6	4 3/4"	8 15/16"	10 3/16"	6"	3500	2740	1182
K3146 - 8	6"	10 3/8"	11 3/8"	7 1/4"	4800	3750	1742
K3146 - 10	7 1/4"	11 3/8"	13 1/8"	9"	5500	4300	2979
K3146 - 12	8 5/8"	12 9/16"	14 5/16"	10 3/8"	8675	6790	3847
K3146 - 14	9 5/8"	13 1/2"	15 1/2"	11 5/8"	9500	7400	6104
K3146 - 16	10 7/8"	14 7/8"	17 1/8"	13 1/8"	10000	7800	7899
K3146 - 18	12 1/2"	16 1/4"	18 1/4"	14 1/2"	13800	10800	10588
K3146 - 20	13 1/2"	17 1/4"	19 3/4"	16"	15300	11900	14180
K3146 - 24	15 1/2"	19 5/16"	22 5/16"	18 1/2"	16300	12700	19145
K3146 - 30	19 7/8"	28 1/4"	32 3/4"	24 3/8"	20500	16000	34983

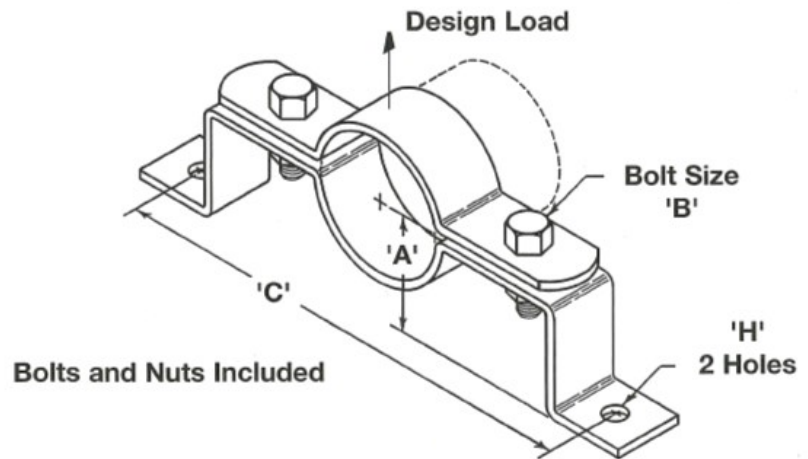


Offset Pipe Clamp - K3148

Material: Steel (Stainless Steel available)

Standard Finish: Plain or Electro-Plated

Service: Designed for supporting vertical or horizontal pipe runs at a fixed distance from a wall or

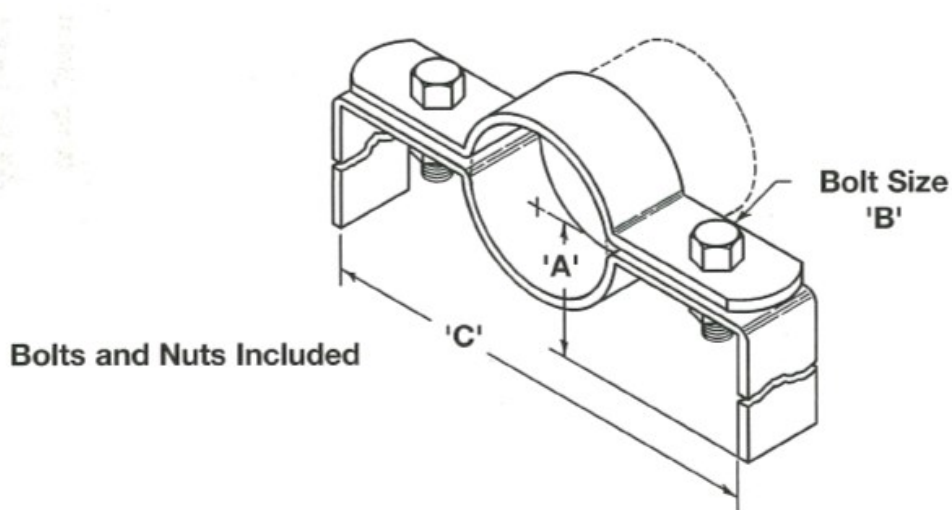


Part Number	Nominal Pipe Size	"A"	Bolt Size "B"	"C"	"H"	Design Load (Lbs.)	Wt./C (Lbs.)
K3148 - 1/2	1/2"	2 1/2"	3/8" - 16 x 1 1/2"	6"	7/16"	190	106
K3148 - 3/4	3/4"	2 1/2"	3/8" - 16 x 1 1/2"	7 5/16"	7/16"	190	112
K3148 - 1	1"	2 5/8"	3/8" - 16 x 1 1/2"	7 9/16"	7/16"	190	123
K3148 - 1 1/4	1 1/4"	2 13/16"	3/8" - 16 x 1 1/2"	7 7/8"	7/16"	190	133
K3148 - 1 1/2	1 1/2"	2 15/16"	3/8" - 16 x 1 1/2"	8 1/4"	7/16"	190	140
K3148 - 2	2"	3 3/16"	3/8" - 16 x 1 3/4"	9 1/8"	7/16"	420	195
K3148 - 2 1/2	2 1/2"	3 7/16"	3/8" - 16 x 1 3/4"	10 1/2"	7/16"	420	226
K3148 - 3	3"	3 3/4"	3/8" - 16 x 1 3/4"	11 1/8"	7/16"	420	244
K3148 - 4	4"	4 1/4"	1/2" - 13 x 2"	12 1/2"	9/16"	610	358
K3148 - 5	5"	4 3/4"	1/2" - 13 x 2 1/4"	13 3/4"	9/16"	610	415
K3148 - 6	6"	5 5/16"	1/2" - 13 x 2 1/4"	16 1/2"	9/16"	870	685
K3148 - 8	8"	6 5/16"	1/2" - 13 x 2 1/2"	18 5/8"	9/16"	870	815
K3148 - 10	10"	7 3/4"	3/4" - 10 x 3"	23"	13/16"	870	2142
K3148 - 12	12"	8 3/4"	3/4" - 10 x 3"	25"	13/16"	870	2337

Note: Ductile and cast iron sizes are available



Marine Hanger - K3149



Material: Steel (Stainless Steel available)

Standard Finish: Plain or Electro-Plated

Service: Designed for suspending or supporting pipe runs where exact distance from structure to pipe cannot be determined until installation. Field modify legs to suit conditions

Ordering: Specify part number and finish

Part Number	Nominal Pipe Size	"A"	Bolt Size "B"	"C"	Wt./C (Lbs.)
K3149 - 3/4	3/4"	12"	3/8" - 16 x 1 1/2"	4 7/16"	182
K3149 - 1	1"	12"	3/8" - 16 x 1 1/2"	4 11/16"	230
K3149 - 1 1/4	1 1/4"	12"	3/8" - 16 x 1 1/2"	5"	239
K3149 - 1 1/2	1 1/2"	12"	3/8" - 16 x 1 1/2"	5 1/4"	244
K3149 - 2	2"	12"	1/2" - 13 x 1 3/4"	6"	319
K3149 - 2 1/2	2 1/2"	12"	1/2" - 13 x 2"	7 1/4"	434
K3149 - 3	3"	12"	1/2" - 13 x 2"	7 7/8"	454
K3149 - 4	4"	12"	1/2" - 13 x 2"	9 1/4"	493
K3149 - 5	5"	12"	1/2" - 13 x 2"	10 1/2"	530
K3149 - 6	6"	12"	5/8" - 11 x 2 1/2"	12 1/2"	1142
K3149 - 8	8"	12"	5/8" - 11 x 2 1/2"	14 5/8"	1273

Note: Ductile and cast iron sizes are available



Standard Riser Clamp - K3373

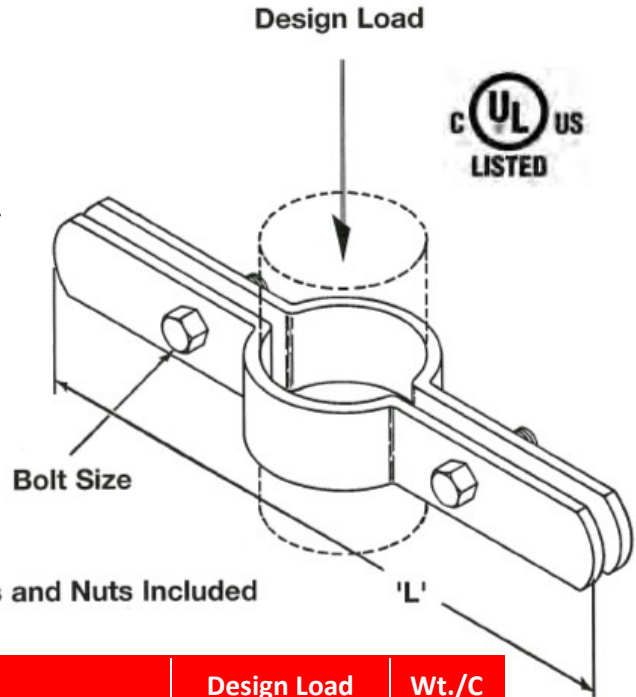
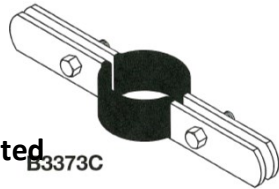
Material: Steel (Stainless Steel available)

Standard Finish: Plain, Electro-Plated, or Hot-Dip Galvanized

Service: Designed for supporting and stabilizing vertical pipe runs. Clamp is fitted for steel pipe and preferable installed below a coupling or shear lugs. Torque bolts to values given on page ___

Ordering: Specify part number and finish

Approvals: U.L. - U.L.C. listed (sizes 2"-8")



Part Number	Pipe Size	"L"	Bolt Size	Design Load (Lbs.)	Wt./C (Lbs.)
K3373 - 1/2	1/2"	9"	3/8" - 16 x 1 1/4"	255	101
K3373 - 3/4	3/4"	9 1/4"	3/8" - 16 x 1 1/4"	255	105
K3373 - 1	1"	9 9/16"	3/8" - 16 x 1 1/4"	255	109
K3373 - 1 1/4	1 1/4"	10"	3/8" - 16 x 1 1/4"	255	112
K3373 - 1 1/2	1 1/2"	10 1/4"	3/8" - 16 x 1 1/2"	255	113
K3373 - 2	2"	10 3/4"	3/8" - 16 x 1 1/2"	255	165
K3373 - 2 1/2	2 1/2"	11 1/4"	3/8" - 16 x 1 1/2"	390	180
K3373 - 3	3"	11 15/16"	3/8" - 16 x 1 1/2"	530	195
K3373 - 3 1/2	3 1/2"	12 3/8"	1/2" - 13 x 1 3/4"	670	217
K3373 - 4	4"	12 7/8"	1/2" - 13 x 1 3/4"	810	228
K3373 - 5	5"	14"	1/2" - 13 x 1 3/4"	1160	480
K3373 - 6	6"	15 3/16"	1/2" - 13 x 2"	1570	526
K3373 - 8	8"	17 3/4"	5/8" - 11 x 2 1/2"	2500	957
K3373 - 10	10"	19 7/16"	5/8" - 11 x 2 1/2"	2500	1101
K3373 - 12	12"	21 11/16"	5/8" - 11 x 3"	2700	1622
K3373 - 14	14"	23 9/16"	5/8" - 11 x 3"	2700	1732
K3373 - 16	16"	26 3/8"	3/4" - 10 x 3 1/4"	2900	2959
K3373 - 18	18"	28 7/8"	3/4" - 10 x 3 1/4"	2900	3235
K3373 - 20	20"	30 7/8"	3/4" - 10 x 3 1/2"	2900	3568
K3373 - 24	24"	34 7/8"	3/4" - 10 x 3 1/2"	2900	4064
K3373 - 30	30"	40 3/4"	7/8" - 9 x 3 1/2"	2900	6016



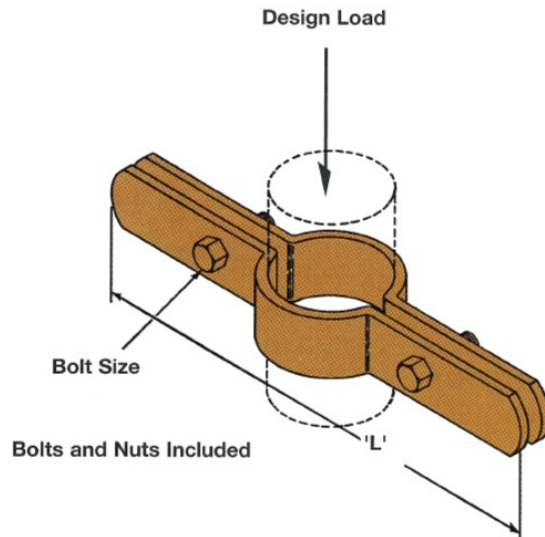
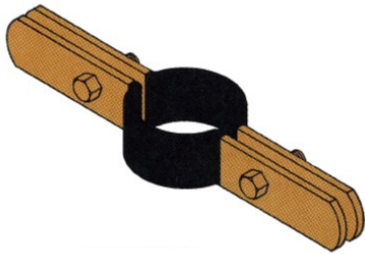
Riser Clamp Copper- K3373CU

Material: Steel

Standard Finish: Copper

Service: Designed to support and stabilize vertical runs of copper tubing (available with plastic coating to provide additional separation between tubing and hanger)

Ordering: Specify part number and finish



K3373CUPVC - Plastic Coated

Part Number	Nominal Tubing Size	"L"	Bolt Size	Design Load (Lbs.)	Wt./C (Lbs.)
K3373CT - 1/2	1/2"	8 3/4"	5/16" - 18 x 1"	75	72
K3373CT - 3/4	3/4"	9 1/16"	5/16" - 18 x 1"	75	73
K3373CT - 1	1"	9 5/16"	3/8" - 16 x 1"	120	74
K3373CT - 1 1/4	1 1/4"	9 5/8"	3/8" - 16 x 1"	150	77
K3373CT - 1 1/2	1 1/2"	9 3/4"	3/8" - 16 x 1 1/4"	150	111
K3373CT - 2	2"	10 7/16"	3/8" - 16 x 1 1/4"	150	120
K3373CT - 2 1/2	2 1/2"	10 15/16"	3/8" - 16 x 1 1/4"	300	128
K3373CT - 3	3"	11 7/16"	3/8" - 16 x 1 1/4"	300	136
K3373CT - 3 1/2	3 1/2"	11 15/16"	3/8" - 16 x 1 1/4"	300	145
K3373CT - 4	4"	12 1/2"	1/2" - 13 x 1 3/4"	300	170
K3373CT - 5	5"	13 5/8"	1/2" - 13 x 2"	500	355
K3373CT - 6	6"	14 5/8"	1/2" - 13 x 2"	500	386



Notes

